

Fxsolar Ground Terrace II

# FXSOLAR Ground Terrace II

**FXSOLAR Ground Terrace II (GT II)** is a solar mounting system ideal for large commercial and utility-scale solar PV projects. GT II is mainly composed of aluminum parts featuring excellent corrosion resistance. The patented structural design and pre-assemble supports will reduce installation time and labor cost on site.



Fxsolar Ground Terrace II

## FXSOLAR Ground Terrace II

### Technical Parameters

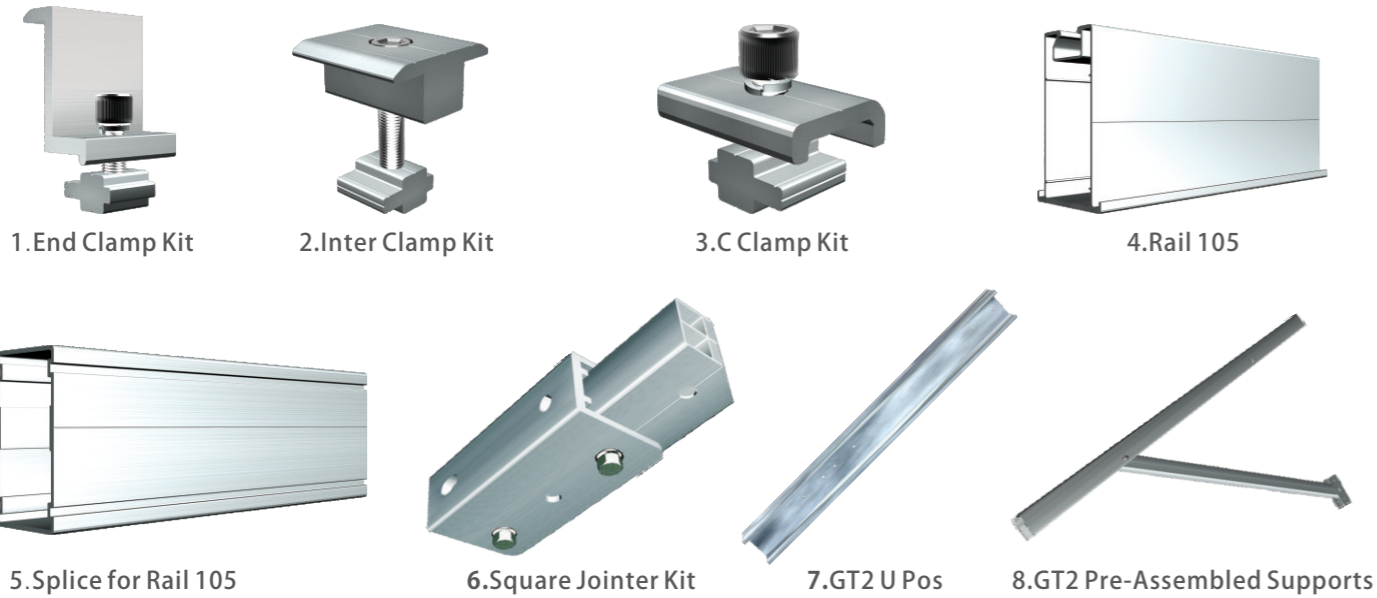
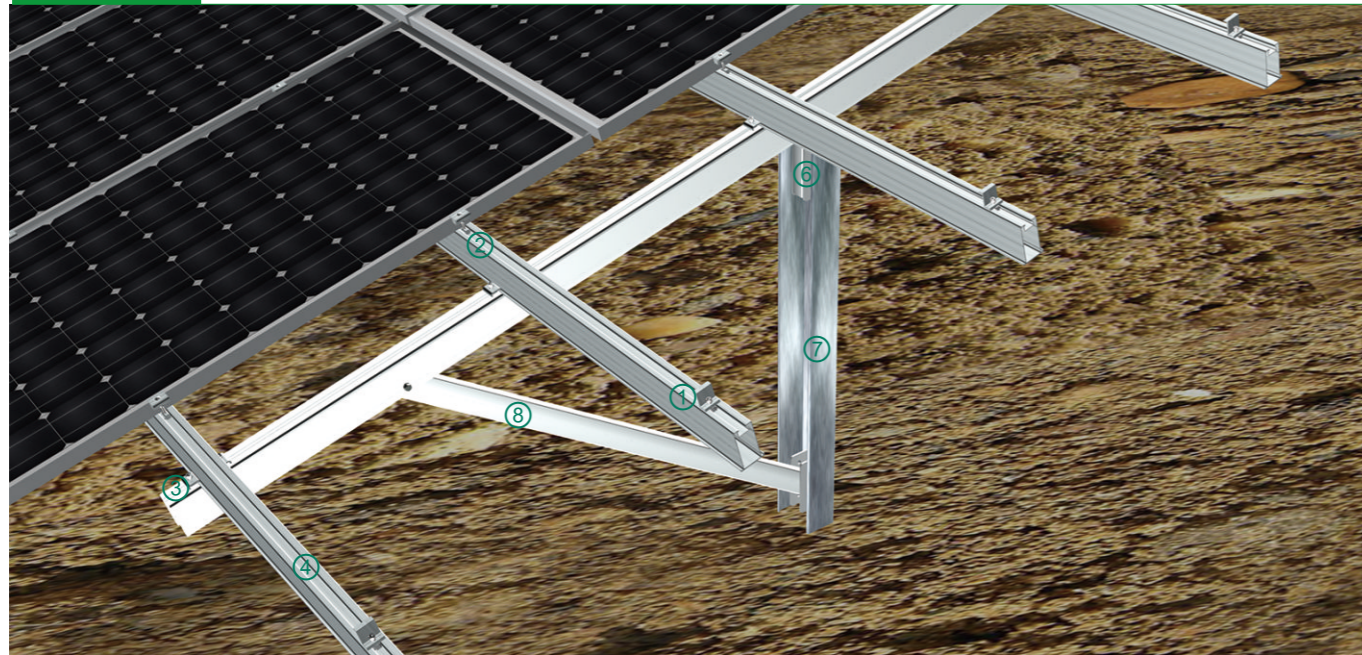
Installation Site	Ground	Wind Load	60m/s
Tilt Angle	5-60°	Snow Load	1.6KN/M2
Material	Aluminum Al6005-T5 (Anodized)	Ground Clearance	500-2000mm
Applicable Module	Framed or Frameless	Module Orientation	Portrait or Landscape
Design Standard	AS/NZS 1170, DIN 1055, JIS C 8955: 2011 International Building Code: IBC 2009 California Building Code: CBC 2010		
Fastener	Stainless Steel SUS304	Color	Silver or Customized
Small Components	Aluminum Al6005-T5 (Anodized)	Warranty	10 Years

### Advantages

1. Supports are pre-assembled before shipping and no cutting or drilling is necessary on site, both of which will save the installation time;
2. Solar modules will be installed easily on portrait or landscape orientation;
3. The characteristic U Post will be adapted to various soil conditions, which makes the whole mounting system more stable;
4. Ether single or double inclined supports could be applied to adapt installation conditions.

## FXSOLAR Ground Terrace II

### Preview



### Component List

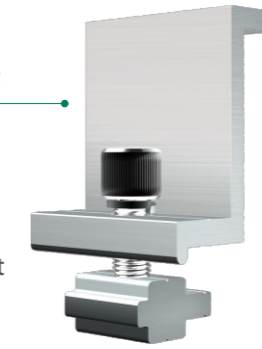
No.	Item	No.	Item	No.	Item
01	End Clamp Kit	04	Rail 105	07	GT2 U Post
02	Inter Clamp Kit	05	Splice for Rail 105	08	GT2 Pre-Assembled Supports
03	C Clamp Kit	06	Square Jointer Kit		

## FXSOLAR Ground Terrace II

### Component Details

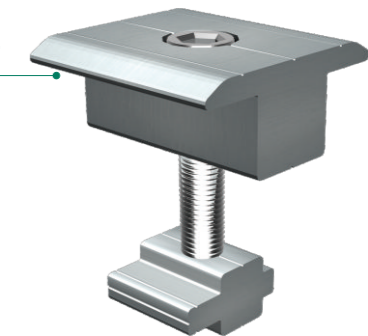
#### FX-EC-ST End Clamp Kit

End Clamp  
Cross Module  
Spring Washer M8.4  
Hexagon Socket Head Bolt



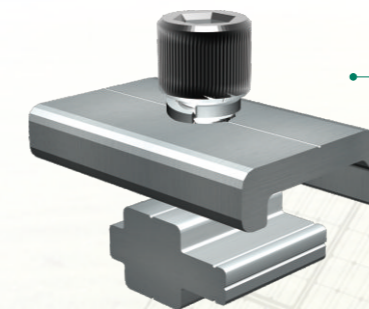
#### FX-IC-ST Inter Clamp Kit

Inter Clamp  
Cross Module  
Spring Washer M8.4  
Hexagon Socket Head Bolt



#### FX-CC-T C Clamp Kit

C Clamp  
Cross Module  
Spring Washer M8.4  
Hexagon Socket Head Bolt M8\*28



#### FX-R-105 Rail 105

Specification: L\*64.5\*105  
Standard Length:  
3100, 4100, 5100mm

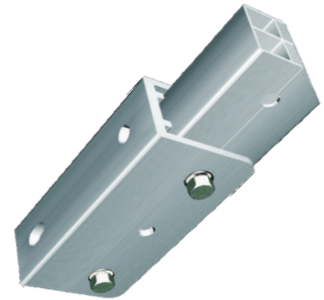
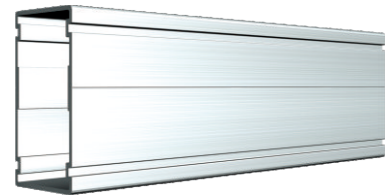


## FXSOLAR Ground Terrace II

### Component Details

#### FX-SP-105 Splice for Rail 105

Specification: L260/L500  
Flange Head Self-Tapping Screw ST6.3\*19

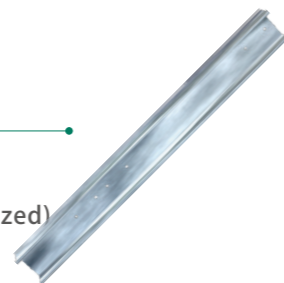


#### FX-GT2-SJ Square Joints Kit

GT3 Square Tube	Hexagon Bolt M12*35
Jointer	Washer M12
Hexagon Bolt M12*95	Spring Washer M12.4
Hexagon Bolt M12*75	Hexagon Nut M12

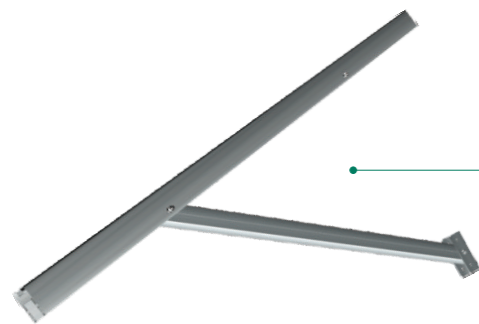
#### FX-GT2-UP GT2 U Post

Specification: L\*150\*100  
Material: Steel Q235B (Hot-Dip Galvanized)



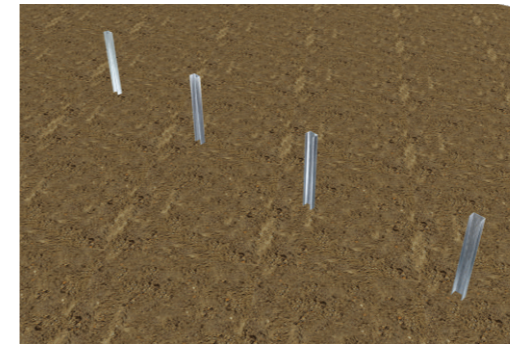
#### FX-GT2-S GT2 Pre-Assembled Supports

U Beam	Hexagon Bolt M12*35
Pre-Assembled Square Tube	Washer M12
Jointer	Spring Washer M12.4
Hexagon Bolt M12*95	Hexagon Nut M12
Hexagon Bolt M12*75	

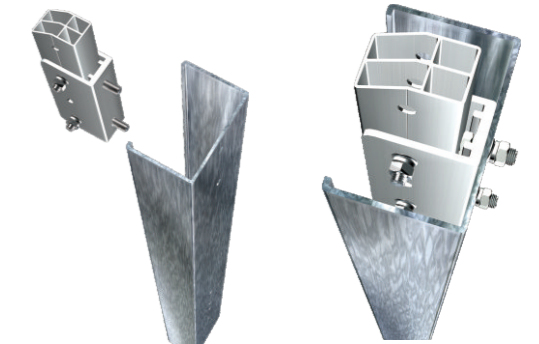


## FXSOLAR Ground Terrace II

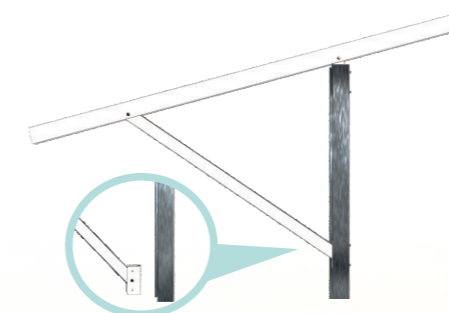
### Installation Guide



1. Pile GT2 U Posts into the ground by the hydraulic pile driver



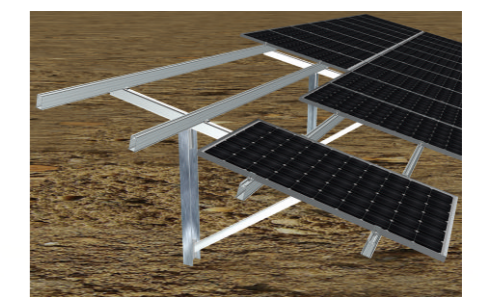
2. Install Square Joints Kits to the U Posts



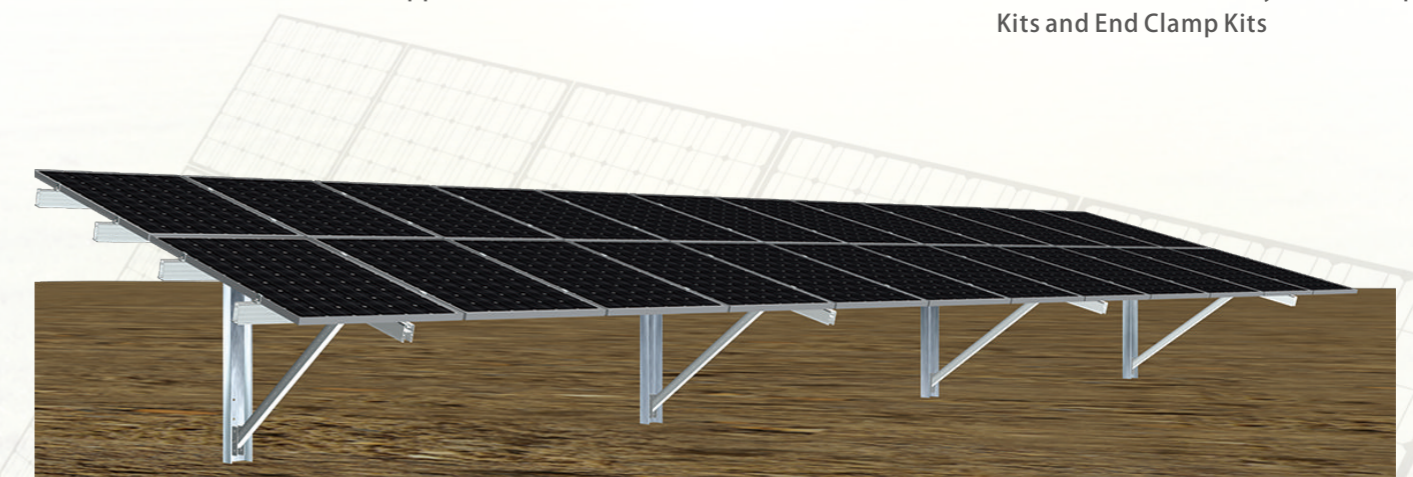
3. Install GT2 Pre-Assembled Supports



4. Install Rails



5. Fasten solar modules by Inter Clamp Kits and End Clamp Kits



6. The installation is complete